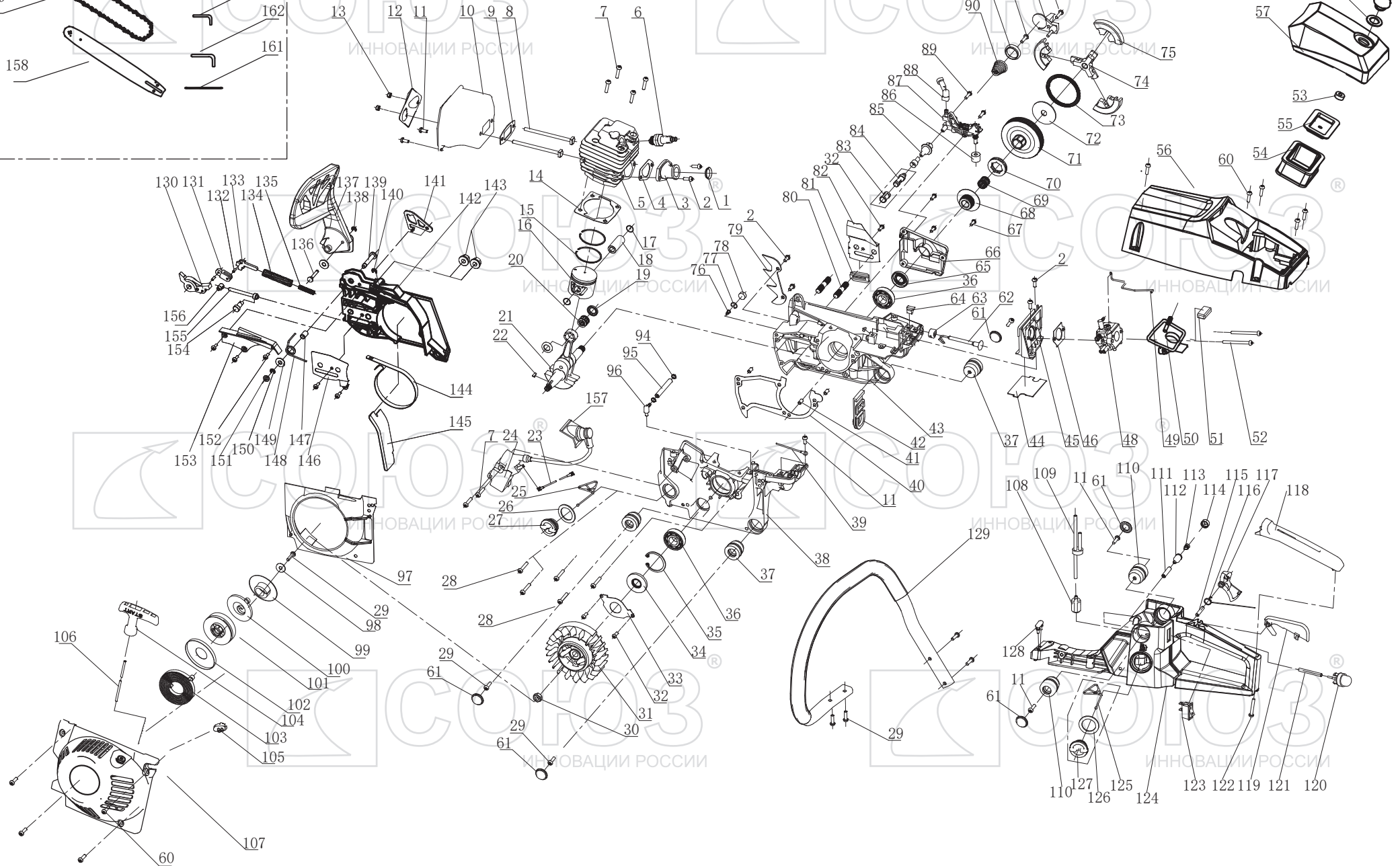
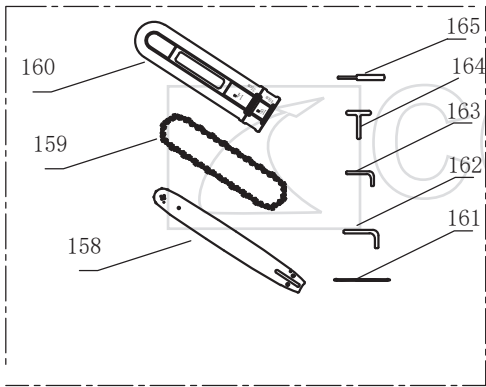


ПТС-9937 ПТС-9945 ПТС-9952



ПТС-9937 ПТС-9945 ПТС-9952

NO.	DESCRIPTION	SPEC	NO.	DESCRIPTION	SPEC	NO.	DESCRIPTION	SPEC
1	RETAINING RING		57	AIR FILTER COVER		112	BALANCER BODY	
2	SCREW TX	M5*12	58	GASKET		113	BALANCER VENTILATION MOUTH	
3	IN-TAKE TUBE		59	AIR FILTER SCREW NUT		114	BALANCER COVER	
4	IN-TAKE MANIFOLD GASKET		60	SCREW TX	M5*14	115	CYLINDRICAL PIN	φ6*30
5	CYLINDER BLOCK		61	DUST COVER		116	THE TRIGGER SPRING	
6	SPARK PLUG		62	THROTTLE PULL ROD		117	TRIGGER	
7	SCREW TX	M5*20	63	CHOKE ROD DAMPING		118	HANDLE COVER	
8	MUFFLER BOLT	M5*85	64	DAMPER		119	THE TRIGGER CONTROL ARM	
9	MUFFLER GASKET		65	SEAL	15*φ28*4.5	120	PRIMMER	
10	FUFFLER		66	THE OIL PUMP COVER		121	FUEL RETURN PIPE	
11	SCREW	M5*10	67	SCREW TX	M4*8	122	SCREW	ST4.8*20
12	MUFFLER COVER		68	TURBINE		123	FLAMEOUT SWITCH	
13	NUT	M5	69	BEARING	φ12*φ15*14.5	124	FUEL TANK	
14	CYLINDER GASKET		70	SPROCKET		125	FUEL TANK CAP ANTI FALLING PLATE	
15	PISTON RING		71	CLUTCH HOISING		126	OIL SEAL	
16	PISTON		72	CLUTCH WEAR PAD		127	FUEL TANK CAP	
17	PISTON PIN		73	CLUTCH SPRING		128	DAMPING RUBBER	
18	PISTON PIN CIRCLIP		74	THE HOLDER		129	GRIP	
19	BEARNING RETAINER		75	FLY HAMMER		130	THE MAIL LEVER	
20	HEAD NEEDLE ROLLER BEARINGS	φ11*φ15*12.5	76	AIR NOZZLE		131	AUXILIARY LEVER	
21	CRANKSHAFT AND CONNECTING ROD		77	AIR NOZZLE CIRCLIP		132	CYLINDRICAL PIN	φ3*9
22	WOODRUFF KEY	3*10	78	AIR NOZZLE SPONGE		133	BRAKE CONTROL LEVER	
23	FLAMEOUT SWITCH LINE		79	TOOTH PLATE		134	MAIL SPRING	
24	COIL		80	STUD	M8*42	135	AUXILIARY SPRING	
25	OIL FILLER CAP OIL FILM		81	CHAIN GUIDE BLOCK		136	LIMITING PIN	
26	FUEL TANK CAP GASKET		82	OIL OUTLET COVER		137	FRONT BAFFLE	
27	OIL FILLER CAP		83	OIL FILTER NETTING		138	CLIP SPRING	φ3
28	SCREW TX	M5*30	84	OIL FILTER		139	FRONT PLATE PIN	
29	SCREW	ST4.8*14	85	OIL PUMP INLET PIPE		140	CLIP SPRING	φ4
30	NUT	M8	86	DUST FILTER COTTON		141	LIMITING PLATE	
31	ROTOR		87	OIL PUMP		142	RIGHT SIDE PLATE	
32	SCREW TX	M4*6	88	OIL PUMP OUTLET PIPE		143	NUT	M8
33	SEAL BAFFLE		89	SCREW TX	M4*14	144	BRAKE BAND	
34	SEAL	φ15*φ35*4.5	90	A TOWER SHAPED SPRING		145	OIL BAFFLE PLATE	
35	RING	φ35	91	A TOWER SHAPED SPRING SEAT		146	GUIDE PLATE	
36	BEARING	62.2	92	SCREW ST	M5*16	147	FRONT BAFFLE CASING	φ8
37	SHOCK ABSORBING SEAT		93	CHAIN BLOCK		148	BRAKE SPRING	
38	RIGHT BOX		94	THE NEGATIVE PRESSURE PIPE CLAMP SPRING		149	SHIM	φ6*φ15*1.5
39	GROUNDING SWITCH LINE		95	THE NEGATIVE PRESSURE PIPE		150	CLIP SPRING	φ5
40	BOX GASKET		96	NEGATIVE PRESSURE NOZZLE		151	RUBBER RING	
41	POSITIONING PIN	φ5*10	97	AIR DEFLECTOR		152	SCREW	ST4.2*8
42	DUSTPROOF RUBBER BLOCK		98	THE ROPE ROUND GASKET	φ5*φ15*1.5	153	SPRING COVER	
43	LEFT BOX		99	SMALL ROPE WHEEL		154	CARD	
44	PLATE(SMALL)		100	BIG SPRING		155	TENSIONING SCREW	
45	CARBURETOR STANDER		101	BIG ROPE WHEEL		156	TENSIONING BLOCK	
46	CARBURETOR GASKET		102	START SPRING COVER		157	SPARK PLUG CAP	
48	CARBURETOR		103	START SPRING		158	GUIDE BAR	
49	THROTTLE ROD		104	STARTER HANDLE		159	CHAIN	
50	THE AIR INLET ELBOW		105	LH SHEATH		160	GUIDE BAR COVER	
51	SHOCK ABSORBER RUBBER SLEEVE		106	START PULLING ROPE		161	GRATER	
52	SCREW TX	M5*50	107	STARTER COVER		162	M5 SPANNER	
53	shock absorpction		108	FUEL FILTER		163	M4 SPANNER	
54	AIR FILER (PAPER)		109	FUEL PIPE ASSY		164	SOCKET WRENCH	
55	AIR FILTER COVER		110	LONG DAMPING		165	BOLT DRIVER	
56	THE UPPER COVER		111	BALANCER SEAT				